

Alpha Compact

Chain Hoist

C SERIES ● 3-PHASE ● 1-SPEED

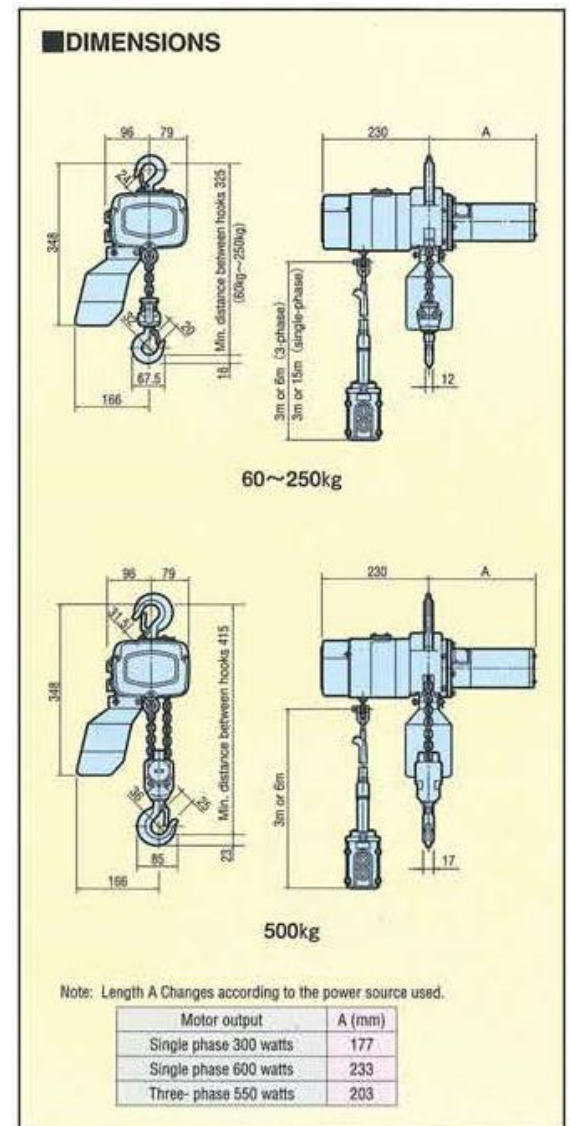
HV SERIES ● 1-PHASE ● VARIABLE SPEED



SPECIFICATION ALPHA ELECTRIC CHAIN HOIST 1 & 3 PHASE

Type	Single speed 3-phase		Variable speed 1-phase	
	Model	C-025	C-05	HV-01
Rated load (kg)	250	500	100	250
Motor output (W)	550		300	600
Short time rating (min)	30		25	
Repetition ratings	Load time rate (%ED)		30	
	Max start frequency (times/h)		1200 or 240	
Rated current (A)	4	4	8[5]	12[6]
Lifting speed (m/min)	9	4,5	1-13	1-10
Standard lift (m)	3	3	3	3
Headroom (mm)	325	415		
Push button cord length (m)	3	3	3	3
Load chain, diameter x pitch	4x12	4x12	4x12	4x12
Net weight (kg)	18	21,5	15	17

- Notes:
1. A power source cable (2mm²X4 Core wires) 5M is included for 3phase.
 2. Figure in [] shows that of α H Type.
 3. Power supply voltage for operating the push-button switch is 24V 3 phase or 100V (or 200V) single phase



Kontakta oss för mer information:
 Svealyft AB Bronsyrögatan 9B 200 39 Malmö
 Tel: 040-22 12 90 Mail: info@svealyft.se
www.svealyft.se