



## Ratchet jack model Yaletaurus

### Capacity 10000 kg

Mechanical ratchet jacks with lifting claw are designed for operation in confined areas where space below the load is restricted, thus preventing the use of traditional lifting equipment. The Yaletaurus is the ideal unit for lifting, positioning or transportation of machines resp. heavy objects as well as for repair and assembly jobs in cramped areas and under toughest conditions.

In spite of its capacity of 10000 kg the Yaletaurus has a weight of just 30 kg and the integrated carrying handle makes it a portable, versatile tool.

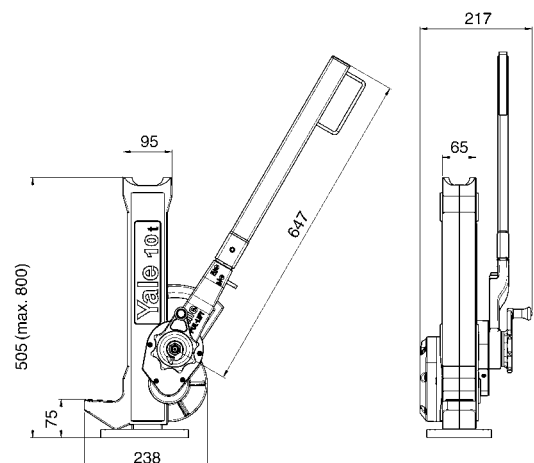
With a hand force of 45 kg on the detachable hand lever, the Yaletaurus will lift, press, push or lower a load of 10000 kg in any direction. A standard crank wheel will bring the jack quickly to the required position.

### Features

- Automatic screw-and-disc type load brake.  
The axial brake pressure is generated by the load itself and is, therefore, proportional to the size of the load. The load is held secure in any position.
- Single part housing made from spheroidal cast iron with integrated lifting claw.
- The screw-and-disc type load brake originates from the Yale PUL-LIFT® (spare parts are easily available).
- Low lever pull and long life endurance due to optimum gearing and high quality materials.

### Technical data model Yaletaurus

Model	EAN-No. 4025092*	Capacity on the head kg	Capacity on the claw kg	Height mm	Lifting height mm	Hand effort at WLL daN	Weight kg
Taurus	*076043	10000	7000	505	295	45	31.1



## Steel jack acc. to DIN 7355 model SJ

Capacity 1500 - 10000 kg

Mechanical steel jacks can basically be used to lift almost all kinds of loads in maintenance and repair, ship building, construction as well as agriculture.

### Features

- The precisely machined gear box with optimal gear ratio ensures a minimum of effort and smooth operation.
- The load can be positioned either on the head or the claw.
- By turning the operating lever the jack moves smoothly and conveniently up and down along the rack.
- The self-locking, anti-kickback operating lever reduces the risk of injuries. The handle can be tilted for use in confined spaces.
- The load is held securely in any position. Inside the load brake the axial brake pressure is generated by the load itself, thus, it is proportional to the size of the load.
- No reduction of capacity on the claw.



Rail jack acc. to DIN 7355 model RSJ

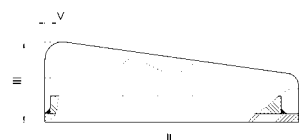
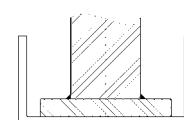
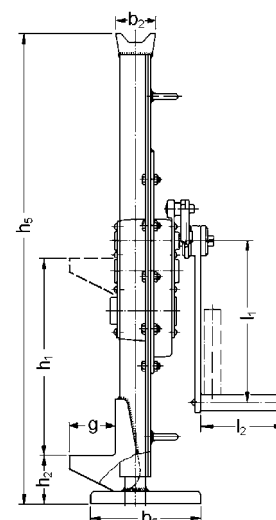
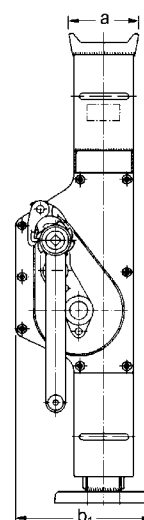
High stability on uneven ground is ensured by the extra large floor plate (e.g. gravel).

### Technical data model SJ and model RSJ

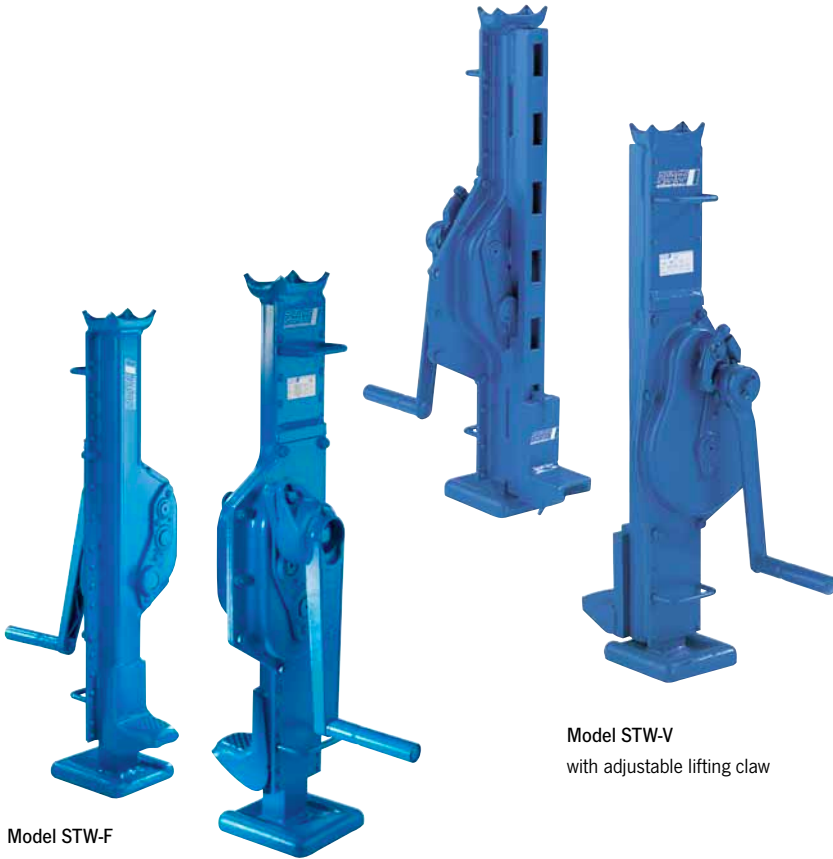
Model	EAN-No. 4025092*	Capacity kg	Height h5 mm	Lifting height h1 mm	Hand effort at WLL daN	Weight kg
SJ 15	*080897	1500	725	360	28	17
SJ 30	*079877	3000	735	360	28	20
SJ 50	*079884	5000	730	350	28	27
SJ 100	*080903	10000	800	410	56	43
RSJ 50	*039482	5000	740	360	28	29

### Dimensions model SJ and model RSJ

Model	SJ 15	SJ 30	SJ 50	SJ 100	RSJ 50
a, mm	76	83	108	124	108
b1, mm	164	200	190	252	190
b2, mm	38	38	52	65	52
b5, mm	140	140	170	170	170
g, mm	60	65	71	86	71
h1, mm	360	360	350	410	350
h2, mm	70	70	80	85	80
h5, mm	725	735	730	800	740
l1, mm	225	249	275	300	275
l2, mm	113	128	128	250	128
I	-	-	-	-	180
II	-	-	-	-	250
III	-	-	-	-	70
IV	-	-	-	-	45
V	-	-	-	-	10



Model RSJ, floor plate



Model STW-F  
with fixed lifting claw

Model STW-V  
with adjustable lifting claw

## Steel jacks acc. to DIN 7355 -with adjustable lifting claw model STW-V

Capacity 3000 - 10000 kg

## -with fixed lifting claw model STW-F

Capacity 1500 - 10000 kg

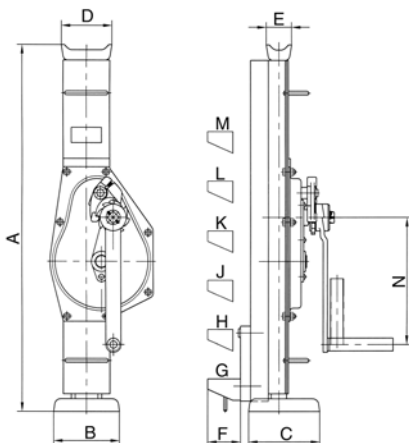
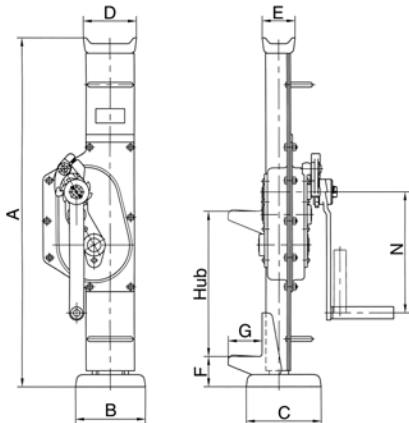
Steel jacks are traditional hoisting equipment for universal application in the forest and agricultural sector, in the industrial sector for assembly activities and many other fields of application.

### Features

- The robust steel design and a toothed rack of solid material increase the service life of the jack.
- Low wear owing to hardened gearing parts and precisely machined teething.
- The precisely machined gears with a high degree of efficiency guarantees low crank forces.
- The load is supported either on the claw or the head of the steel jack.
- Robust base plate for a high level of stability.

### Option

- Different crank versions (Sifeku, Siku, Raku)



### Technical data model STW-V and model STW-F

Art.-No. Sifeku	Crank version		Capacity/Type	Height	Lift	Weight
	Art.-No. Siku	Art.-No. Raku	in kg	mm	mm	kg
030008133	030008001	030008028	3000/V	720	350	25
030009156	030009008	030009016	5000/V	720	300	30
-	030010006	030010014	10000/V	792	300	48
030001139	030001007	030001015	1500/F	720	350	12
030002135	030002003	030002011	3000/F	720	350	21
030003131	030003069	030003018	5000/F	720	300	26
-	030004006	030004014	10000/F	792	300	42

### Dimensions model STW-V and model STW-F

Art.-No. Sifeku	030008133	030009156	-	030001139	030002135	030003131	-
Art.-No. Siku	030008001	030009008	030010006	030001007	030002003	030003069	030004006
Art.-No. Raku	030008028	030009016	030010014	030001015	030002011	030003018	030004014
A, mm	720	720	792	720	720	720	792
B, mm	130	145	145	130	130	145	145
C, mm	140	155	155	140	140	155	155
D, mm	100	110	125	90	90	110	125
E, mm	50	68	80	50	50	68	80
F, mm	65	65	70	60	61	62	85
G, mm	69	62	85	60	65	70	85
H, mm	166	159	191	-	-	-	-
J, mm	263	256	297	-	-	-	-
K, mm	360	353	403	-	-	-	-
L, mm	457	450	509	-	-	-	-
M, mm	554	547	615	-	-	-	-
N, mm	250	250	300	250	250	250	300



### Safety ratchet crank (Raku)

- For use in confined spaces.
- Lifting by moving the ratchet upwards and downwards.
- Lifting or lowering movement adjustable by turning a lever.
- The load is held safely at every height.
- With folding handle

#### Arm length 250 mm

- Square drive 14 mm
- Max. drive torque 60 Nm (braking torque)

#### Arm length 300 mm

- Square drive 17 mm
- Max. drive torque 120 Nm (braking torque)



### Safety crank (Siku)

- With one-sided braking effect
- The load is held safely at every height.
- With folding handle

#### Arm length 250 mm

- Square drive 14 mm
- Max. drive torque 60 Nm (braking torque)

#### Arm length 300 mm

- Square drive 17 mm
- Max. drive torque 120 Nm (braking torque)



### Spring loaded safety crank (Sifeku)

#### For particularly safe application

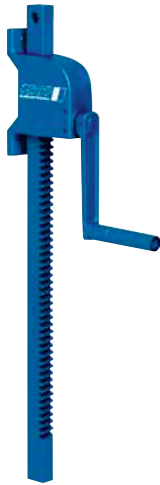
- Without pawl
- Silent
- Recoil proof
- Maintenance-free
- Weather and temperature resistant
- Braking effect at both ends
- The load is held safely at every height, in the pushing and pulling direction.
- Approved by the TÜV as an independent crank
- With folding handle

#### Arm length 250 mm

- Square drive 14 or 17 mm
- Max. drive torque 60 Nm (braking torque)



**When ordering please specify the required crank type.**



Model ZWW  
Capacity 250 kg



Model ZWW  
Capacity 1000 kg



Model ZWW  
Capacity 1500 kg



Model ZWW  
Capacity 10000 kg

## Wall-mounted rack and pinion jacks model ZWW

Capacity 250 - 10000 kg

Wall-mounted rack and pinion jacks are used for lifting, lowering, pulling and pushing of loads.

### Features

- Robust steel design with precisely machined worm and spur gears for smooth and easy manual operation.
- Solid steel rack with additional bore hole for fastening of the load.
- Low wear owing to hardened gearing parts and precisely machined teething.
- Suitable for a lifting load of up to 5000 kg for pushing and pulling loads.
- Rigid wall mounting.

### Options

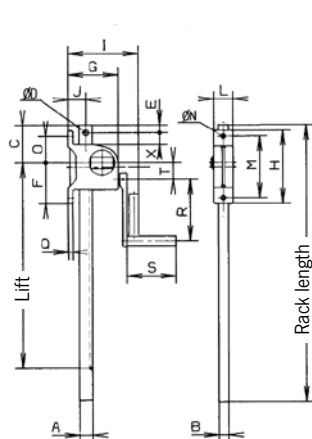
- Rack extensions
- Special fastening arrangements for shaft and rack
- Improved corrosion protection owing to zinc-plating, nickel-plating
- Spring loaded safety lock with removable crank (up to 5000 kg)

## Technical data model ZWW

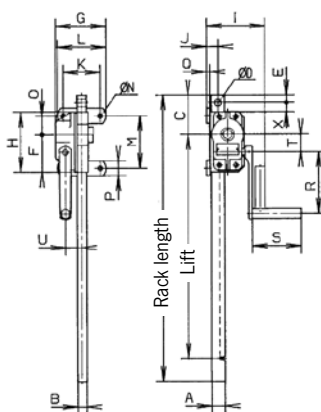
Art.-No.	Gear type	Load safety	Capacity	Lift per crank rotation	Crank effort	Rack length	Lift	Weight
			kg	mm				
030052000	Worm gear	self-locking	250	11	11	740	550	9
030053007	Worm gear	self-locking	500	11	16.5	895	700	10
030054003	Worm gear	self-locking	1000	3.8	22	765	600	11
030055131	Spur gear	Sifeku	1500	14	28	1090	800	11
030056138	Spur gear	Sifeku	3000	8.6	28	975	565	19
030057134	Spur gear	Sifeku	5000	4.5	28	1170	700	28
030058009	Spur gear	Siku	10000	3.2	40	1240	700	55

## Dimensions model ZWW

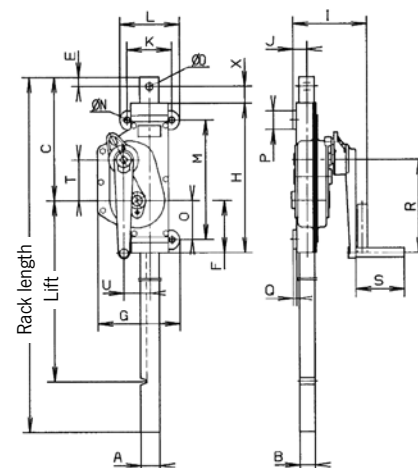
Art.-No.	030052000	030053007	030054003	030055131	030056138	030057134	030058009
A, mm	35	35	35	35	45	50	60
B, mm	25	25	25	25	30	40	50
C, mm	100	100	105	215	280	330	380
Ø D, mm	16	16	21	21	21	21	30
E, mm	20	20	20	20	25	25	30
F, mm	109.5	109.5	100	135	165	140	160
G, mm	133	133	134	151	212	219	269
H, mm	195	195	160	310	395	400	480
I, mm	188	188	155	168	179	197	200
J, mm	47.5	47.5	29.5	26	31	37	39.5
K, mm	-	-	100	100	120	120	140
L, mm	52	52	130	130	160	160	180
M, mm	165	165	140	260	305	320	410
Ø N, mm	12.5	12.5	12.5	12.5	14.5	17	21
O, mm	70.5	70.5	50	110	120	105	125
P, mm	-	-	40	40	50	50	60
Q, mm	12	12	8	8	10	10	10
R, mm	165	220	165	250	250	250	300
S, mm	130	130	130	130	130	130	250
T, mm	44.5	44.5	46.8	42.4	86.25	109.1	150.4
U, mm	-	-	44	43.3	53.1	69.5	88.3
X, mm	32	32	25	20	25	45	30



Model ZWW  
Capacity 250 - 500 kg



Model ZWW  
Capacity 1000 kg



Model ZWW  
Capacity 1500 - 10000 kg



## Lifting jack model HB

Capacity 1000 kg

The stable lifting jack for supporting tube and bar material.

### Features

- The removable supporting roller facilitates sliding of heavy loads.
- The self-locking worm gear ensures safe holding of the load.
- Large base plate for a high level of stability.

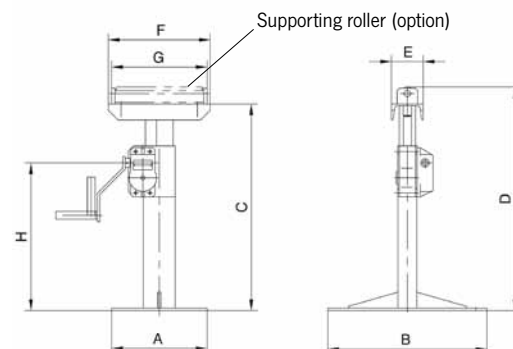
### Technical data model HB

Model	Art.-No.	Capacity kg	Height mm	Lifting height mm	Weight kg
HB	030060003	1000	650	350	34

### Technical data supporting roller HB-A

Model	Art.-No.	Capacity kg	Length mm	Width mm	Height mm	Weight kg
HB-A	030060011	1000	270	65	55	5

### Dimensions model HB



Model	
Art.-No.	030060003
A, mm	300
B, mm	500
C, mm	650
D, mm	705
E, mm	100
F, mm	320
G, mm	300
H, mm	465

## Truck body lifting jack model KHB 8, BGVD8 (VBG 8) model KHB 14, EN 1493 (VBG 14)

Capacity 3000 - 7500 kg

Truck body lifting jacks are used for supporting vehicle bridges, swap bodies and trailers; they are also used in vehicle construction and freight forwarding applications.

### Features

- High-quality, torsionally stiff steel design with large base plate for a high level of stability.
- Lockable rack of solid material and synchronized running monitoring feature (VBG 14) for synchronized lifting movements with several lifting jacks.
- Hardened gearing parts and precisely machined teething for improved handling and low wear.
- The load can either be supported on the head or on the adjustable claw.

### Options

- Non-slip rubber plates for head and claw.
- Design as truck body lifting platform jack according to VBG 14 accident prevention regulations – for working under a lifted load without additional support.



Model KHB 8  
Capacity 3000 kg

Model KHB 14  
Capacity 6000 kg

### Technical data model KHB

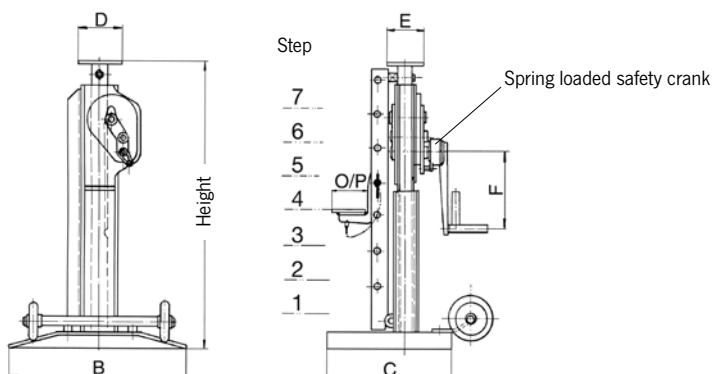
Model	Art.-No.	Capacity head kg	Claw kg	Height mm	Lifting height mm	Crank version	Gear	Weight kg
KHB 8	030077011	3000	3000	932	410	Sifeku	spur type	78
KHB 8	030080012	7500	7500	1105	500	Siku	spur type	128
KHB 14	040076015	6000	6000	1105	500	Siku	spur type	130

### Step height of adjustable lifting claw for model KHB

Model	Capacity kg	1. Step mm	2. Step mm	3. Step mm	4. Step mm	5. Step mm	6. Step mm	7. Step mm
KHB 8	3000	115	227	339	451	563	675	787
KHB 8	7500	275	460	645	830	1015	-	-
KHB 14	6000	275	460	645	830	1015	-	-

### Dimensions model KHB

Model	KHB 8	KHB 8	KHB 14
Art.-No.	030077011	030080012	040076015
B, mm	600	600	600
C, mm	400	400	400
D, mm	150	150	150
E, mm	120	120	120
F, mm	250	300	300
O/P, mm	100/120	159/180	150/180







Model S 20



Model S 24

## Worm gear drive unit model S 20 and model S 24

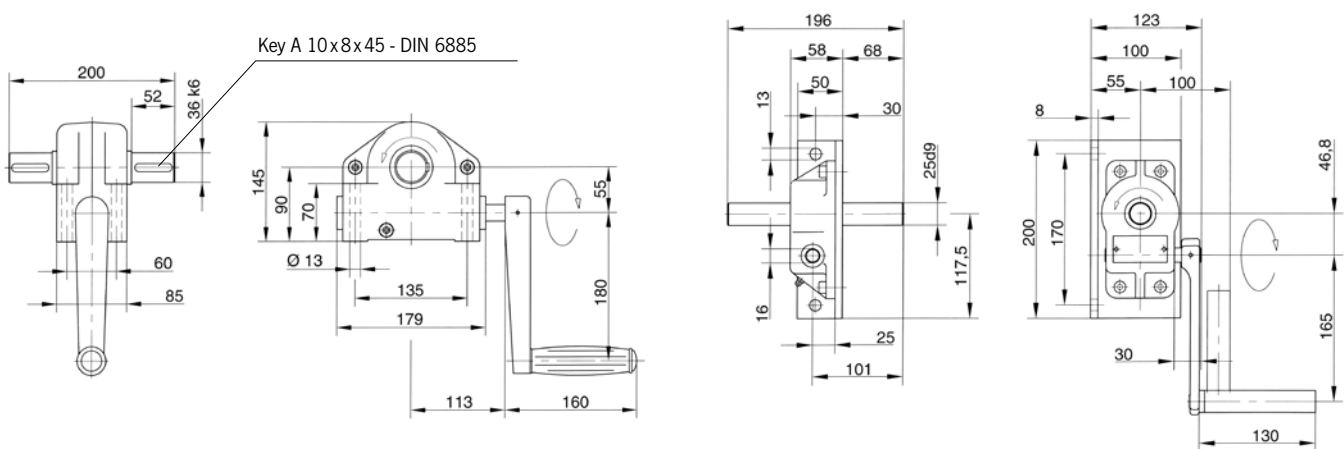
The worm gear drives are suitable for a large variety of applications in construction for moving or turning loads, as gears for rope drums or chain sprockets or slewing drives.

### Features

- Enclosed housing for the protection of parts inside.
- Enclosed and precisely machined gear for little effort and a long service life.

### Technical data model S 20 and model S 24

Model	Art.-No.	Ratio	Drive torque daNm	Required crank effort daN	Shaft length mm	Shaft diameter mm
S 20	032626004	20:1	12	11	196	25
S 24	032626020	24:1	36	22	200	36





## Hydraulic car jack model HWH KS PROLINE

Lifting loads from 2 t up to 30 t

For lifting vehicles on one side (the lifted load must be secured mechanically with supporting stands, for example).

### Features

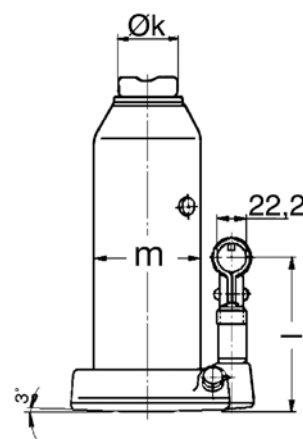
- Versions with hydraulic piston and mechanical spindle drive or with 2 hydraulic pistons.
- With carrying bracket from load capacity 20 t.
- Extremely low design with model HWH 2K/D (incl. 1 pressure section for lift extension).
- With integrated pressure control valve for a longer service life of the jack.
- Integrated seat valve for controlled lowering of the load.



## Technical data model HWH KS PROLINE 2 pistons

Model	Art.-No.	Capacity kg	Weight kg
HWH 2K 3,0	032301016	3000	4.87
HWH 2K 5,0	032304001	5000	6.3
HWH 2KS 10,0	032304002	10000	8.8
HWH 2KS 12,0	032307014	12000	11.0
HWH 2K NB 10,0**	032306034	10000	7.9
HWH 2K/D 10,0*	032304003	10000	6.5

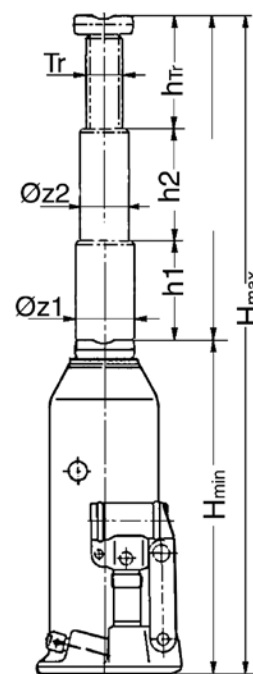
\*with replaceable pressure section (height 45 mm)  
 \*\*horizontal pump unit



## Dimensions model HWH KS PROLINE 2 pistons

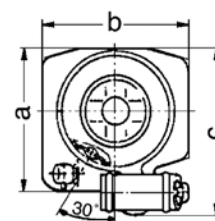
Model	HWH 2K 3,0	HWH 2K 5,0	HWH 2KS 10,0	HWH 2KS 12,0	HWH 2K NB 10,0**	HWH 2K/D 10,0*
H min., mm	185	215	200	230	175	120
H max., mm	400	520	530	570	385	230
h1, mm	110	145	130	130	104	54
h2, mm	105	160	132	125	106	56
hTr, mm	-	-	68	85	-	-
Ø k, mm	60x35	43	40	48	43	38
l, mm	115	134	116	53	136	112
m, mm	80	90	116	133	116	116
Tr, mm	-	-	32x5	40x6	-	-
Ø z1, mm	32	39	52.58	61.5	52.5	52.5
Ø z2, mm	23	29	39.5	48.5	39.5	39.5

\*with replaceable pressure section (height 45 mm)  
 \*\*horizontal pump unit



## Technical data model HWH KS PROLINE piston/spindle

Model	Art.-No.	Capacity kg	Weight kg
HWH KS 2,0	032300002	2000	2.9
HWH KS 3,5	032302004	3500	2.9
HWH KS 5,0	032303000	5000	3.9
HWH KS 8,0	032305003	8000	5.7
HWH KS 10,0	032306026	10000	5.7
HWH KS 12,0	032307006	12000	7.1
HWH KS 15,0	032308002	15000	8.3
HWH KS 20,0	032309009	20000	10.7
HWH KS 25,0	032310007	25000	13.1
HWH KS 30,0	032311003	30000	14.5



## Dimensions model HWH KS PROLINE piston/spindle

Model	HWH KS 2,0	HWH KS 3,5	HWH KS 5,0	HWH KS 8,0	HWH KS 10,0	HWH KS 12,0	HWH KS 15,0	HWH KS 20,0	HWH KS 25,0	HWH KS 30,0
H min., mm	170	170	212	220	220	230	230	240	240	240
H max., mm	377	377	462	480	480	497	495	505	515	482
h1, mm	115	115	150	150	150	157	155	155	157	142
hTr, mm	92	92	100	110	110	110	110	110	118	100
Ø k, mm	28	28	40	48	48	48	60	60	65	65
l, mm	113	113	113	116	116	116	116	116	120	116
m, mm	58	58	65	80	80	90	95	116	133	133
Tr, mm	20x4	20x4	24x5	32x5	32x5	35x6	40x6	45x6	48x6.35	48x6.35
Ø z1, mm	24.9	24.9	29.9	39.5	39.5	43.5	48.5	54.5	59.5	61.5



## Universal jacks model JH

Capacity 2 - 50 t

Universal jacks supply high forces for general operations like lifting, pushing, moving, supporting of all kind of loads.

### Features

- Robust, long life design.
- Pressure relief valve
- Precise controlled lowering.
- Additional screw extension of the piston (up to 20t).
- Grooved saddle.
- Large base plates for increased stability.
- Model JH-50-2 with two-stage pump.
- Incl. operating lever.



JH-50-2

### Technical data model JH

Model	EAN-No. 4025092*	Capacity t	Lift mm	Additional screw extension mm	Closed height mm	Base plate mm	Pump	Weight kg
JH-2 A	*162722	2	115	50	181	90x95	1 <sup>st</sup> stage	2.7
JH-4 A	*162739	4	126	60	205	115x110	1 <sup>st</sup> stage	3.7
JH-6 A	*162746	6	130	75	219	115x110	1 <sup>st</sup> stage	4.7
JH-8 A	*162753	8	152	70	225	120x120	1 <sup>st</sup> stage	5.7
JH-12 A	*162760	12	153	80	240	140x130	1 <sup>st</sup> stage	8.0
JH-20 A	*162777	20	153	80	240	160x155	1 <sup>st</sup> stage	11.0
JH-30	*154352	30	180	-	280	210x180	1 <sup>st</sup> stage	22.0
JH-50-2	*154376	50	178	-	305	255x190	2 <sup>nd</sup> stage	53.0

## Machine jack model MH

For lifting heavy machinery and other loads.

### Features

- Can be used in every position.
- Lifting by means of a hand pump.
- Lowering by means of a precision lowering valve.
- With carrying handle for models MH 50 and MH 100.
- With carriage for model MH 250.
- Pressure control valve for a longer service life of the jack.
- Integrated lifting limitation.
- Low application height of the claw.
- Slewing claw (models MH 50 and MH 100)
- Large base plate for a high level of stability.
- Stable construction with hard-chromium plated piston rod.



### Technical data model MH

Model	Art.-No.	Capacity kg	Lift mm	Application height min. with claw mm	Application height min. with head mm	Pump lever force with full load daN	Weight kg
MH 50	040014771	5000	205	≤ 25	≤ 368	38	25
MH 100	040014772	10000	230	≤ 25	≤ 420	40	35
MH 250	040014773	25000	215	≤ 58	≤ 505	40	109

### Dimensions model MH

Model	MH 50	MH 100	MH 250
A, mm	393	449	-
B, mm	320	325	459
C, mm	213	205	420
D, mm	115	120	220
E, mm	53	55	90
G, mm	25	30	58
H, mm	368	420	505
H1, mm	573	650	720
H2, mm	205	230	215
J, mm	77	74.5	142.5
K, mm	93	108	175
L, mm	520	520	920/840
M, mm	740	745	1305/1225
N, mm	140	170	210/283
Ø Z, mm	76	91	155

