

## Platformlift model PRAKTIKUS HP

Capacity 200 - 400 kg,  
platform height max. 1200 mm

For the occasional, internal application of lifting and transporting of goods.

### Features

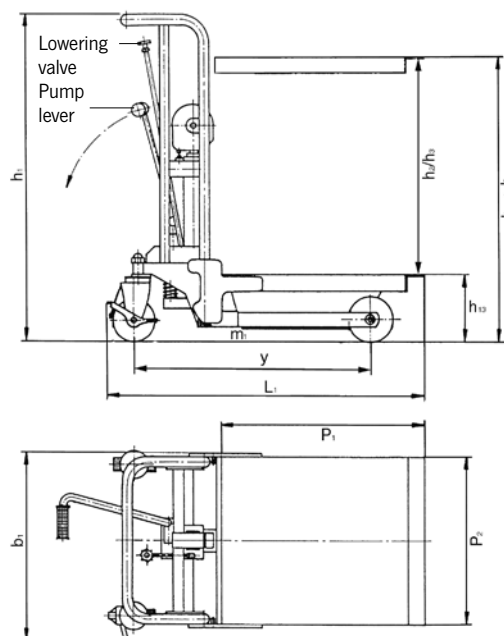
- Easy lifting by tiltable foot pedal.
- Lowering speed can be finely metered for sensitive lowering of the load.
- Ergonomic handlebar for easy operation.
- Steering roller with brake for safe parking of the hand stacker.
- Robust construction with chrome plated chassis, hard chromium plated piston and pressure relief valve.
- Covered chain deflection for increased safety.



### Technical data model PRAKTIKUS HP

Model	HP 0285	HP 0212	HP 0485	HP 0412
Art.-No.	040008776	040008777	040008778	040008779
Capacity, kg	200	200	400	400
Platform height max. $h_3 + h_{13}$ , mm	850	1200	850	1200
Platform height min. $h_{13}$ , mm	200	200	200	200
Free lift $h_2$ , mm	650	1000	650	1000
Stroke $h_3$ , mm	650	1000	650	1000
Lifting height per pump stroke, mm	23	23	23	23
Overall height $h_1$ , mm	960	1310	960	1310
Overall length $L_1$ , mm	1037	1037	1037	1037
Overall width $b_1$ , mm	590	590	590	590
Platform length $P_1$ , mm	650	650	650	650
Platform width $P_2$ , mm	550	550	550	550
Tyre type*	VG/VG	VG/VG	VG/VG	VG/VG
Steering rollers, mm	150x45	150x45	150x45	150x45
Load rollers, mm	150x45	150x45	150x45	150x45
Number of wheels/load rollers	2/2	2/2	2/2	2/2
Ground clearance $m_1$ , mm	50	50	50	50
Wheelbase $y$ , mm	785	785	785	785
Weight, kg	65	70	66	71

\*VG... Solid rubber



## Scissor elevating platform, mobile with single scissor model HX

Capacity 150 - 750 kg,  
platform height max. 1000 mm

For the independant lifting and supplying of loads within a warehouse environment.

### Features

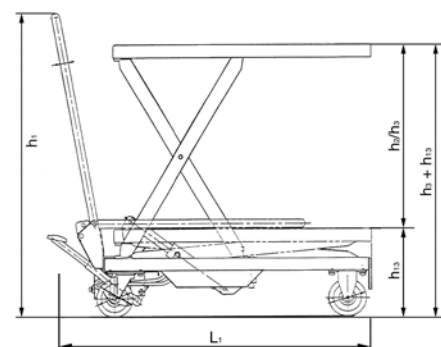
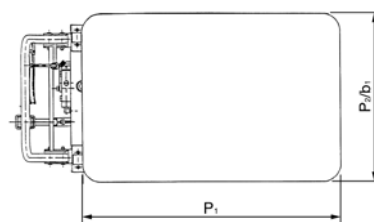
- Hydraulic lifting of the load with foot pedal.
- Lowering speed can be finely metered for sensitive lowering of the load.
- Ergonomic handlebar for easy operation, tiltable for model HX 150.
- Steering roller with brake for safe parking of the hand stacker.
- Robust construction with hard chromium plated piston and pressure relief valve.



### Technical data model HX

Model	HX 150	HX 300	HX 500	HX 750
Art.-No.	034600020	040057357	040057358	040057360
Capacity, kg	150	300	500	750
Platform height max. $h_3 + h_{13}$ , mm	720	880	880	1000
Platform height min. $h_{13}$ , mm	220	285	285	420
Stroke $h_3$ , mm	500	595	595	580
Lifting height per pump stroke, mm	27	31	31	15
Overall height $h_1$ , mm	960	984	984	990
Overall length $L_1$ , mm	908	1093	1093	1330
Overall width $b_1$ , mm	450	500	500	600
Platform length $P_1$ , mm	700	850	850	1000
Platform width $P_2$ , mm	450	500	500	510
Tyre type*	PUR/PUR	PUR/PUR	PUR/PUR	PUR/PUR
Rollers, mm	100 x 36	128 x 40	128 x 40	147 x 50
Number of wheels/load rollers	2/2	2/2	2/2	2/2
Weight, kg	49	78	82	120

\*PUR... Polyurethane



## Scissor elevating platform, mobile with double scissor model HX-D

Capacity 350 kg,  
platform height max. 1300 mm

For the independant lifting and supplying of light up to medium loads within a warehouse environment.

### Features

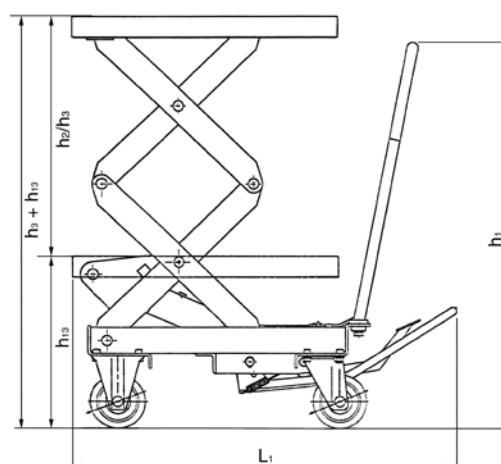
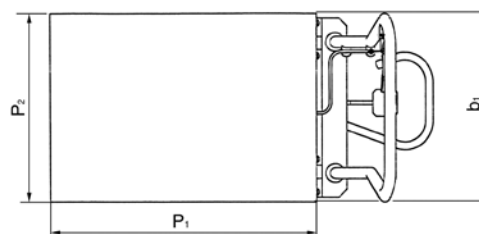
- Hydraulic lifting of the load with foot pedal.
- Lowering speed can be finely metered for sensitive lowering of the load.
- Ergonomic handlebar for easy operation.
- Steering roller with brake for safe parking of the hand stacker.
- Robust construction with hard chromium plated piston and pressure relief valve.
- According to EN 1570, prEN 1757-4.



### Technical data model HX-D

Model	HX-D 350
Art.-No.	040057361
Capacity, kg	350
Platform height max. $h_3 + h_{13}$ , mm	1300
Platform height min. $h_{13}$ , mm	370
Stroke $h_3$ , mm	930
Lifting height per pump stroke, mm	21
Overall height $h_1$ , mm	965
Overall length $L_1$ , mm	1140
Overall width $b_1$ , mm	500
Platform length $P_1$ , mm	910
Platform width $P_2$ , mm	500
Tyre type*	PUR/PUR
Load rollers, mm	128x40
Number of wheels/load rollers	2/2
Weight, kg	136

\*PUR... Polyurethane





**Scissor elevating platform,  
mobile with single scissor and  
- manual hydraulic  
model HF...SM**

Capacity 150 - 1250 kg,  
platform height max. 1050 mm

**- electric hydraulic system  
model HF...SE**

Capacity 300 - 1250 kg,  
platform height max. 1050 mm

For lifting and supplying goods independent of the  
location.

**Features**

- Manual hydraulic system with pedal or electric hydraulic system with dead man function – a main current connection is not required.
- High safety due to pressure relief and lowering valve.
- Robust single scissor construction, above 300 kg with solid steer scissor.
- Pivoting platform with mechanic adjustment for safe maintenance work.
- Compact design with low OAH.
- Steering and fixed rollers with service-free roller bearings. One steer roller can be locked in position for parking.
- According to EN 1570 and machinery directive 2006/42/EG.



**Scope of delivery**

- Models with electric-hydraulic pump are supplied complete with battery and charger.

## Technical data model HF/SM

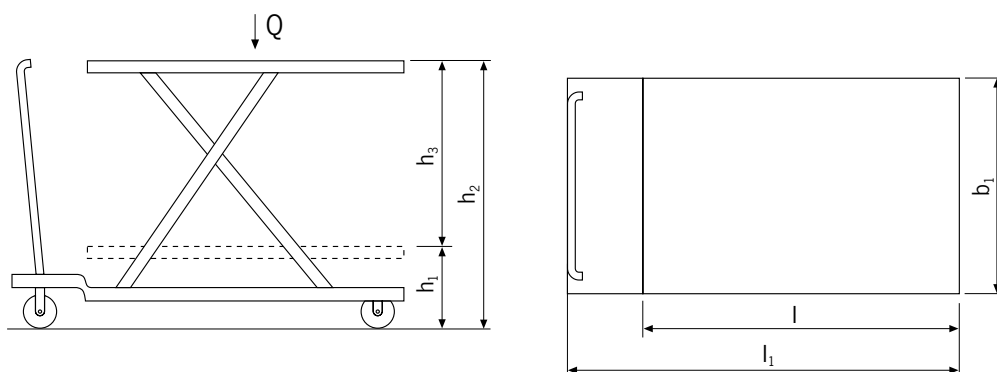
Model	HF 015-078 SM	HF 030-084 SM	HF 050-090 SM	HF 080-105 SM	HF 100-105 SM	HF 125-105 SM
Art.-No.	24501078	24503084	24505090	24508105	24510105	24512105
Capacity, kg	150	300	500	800	1000	1250
Platform height max. h <sub>2</sub> , mm	780	840	900	1050	1050	1050
Platform height min. h <sub>1</sub> , mm	255	335	340	360	360	360
Stroke h <sub>3</sub> , mm	525	505	560	690	690	690
Overall length l <sub>1</sub> , mm	990	1050	1320	1650	2350	1650
Overall width b <sub>1</sub> , mm	450	500	610	860	1000	860
Platform length l, mm	760	840	1030	1350	2000	1350
Platform width b <sub>1</sub> , mm	450	500	610	840	1000	840
Tyre type**	VG	PUR	PUR	PA	PA	PA
Service brake	manual	manual	manual	manual	manual	manual
Number of strokes for max. lift	14	18	29	40	80	80
Weight (with battery and battery charger), kg	41	83	109	222	350	230

\*\*PA... Polyamide, PUR... Polyurethane, VG... Solid rubber

## Technical data model HF/SE

Model	HF 030-084 SE	HF 050-090 SE	HF 080-105 SE	HF 100-105 SE	HF 125-105 SE
Art.-No.	24603084	24605090	24608105	24610105	24612105
Capacity, kg	300	500	800	1000	1250
Platform height max. h <sub>2</sub> , mm	840	900	1050	1050	1050
Platform height min. h <sub>1</sub> , mm	335	340	360	360	360
Stroke h <sub>3</sub> , mm	505	560	690	690	690
Overall length l <sub>1</sub> , mm	1130	1330	1650	2350	1650
Overall width b <sub>1</sub> , mm	500	610	860	1000	860
Platform length l, mm	840	1030	1350	2000	1350
Platform width b <sub>1</sub> , mm	500	610	840	1000	840
Tyre type**	PUR	PUR	PA	PA	PA
Service brake	manual	manual	manual	manual	manual
Number of strokes for max. lift	electric	electric	electric	electric	electric
Weight (with battery and battery charger), kg	120	158	270	397	278

\*\* PA... Polyamide, PUR... Polyurethane





Scissor elevating platform,  
mobile with double vertical  
scissor and  
- manual hydraulic  
model HF...DM  
- electric hydraulic system  
model HF...DE

Capacity 125 - 800 kg,  
platform height max. 1900 mm

For lifting and supplying goods independent of the  
location.

#### Features

- Manual hydraulic system with pedal or electric hydraulic system with dead man function – a main current connection is not required.
- High safety due to pressure relief and lowering valve.
- Robust single scissor construction, above 300 kg with solid steer scissor.
- Pivoting platform with mechanic adjustment for safe maintenance work.
- Compact design with low OAH.
- Steering and fixed rollers with service-free roller bearings. One steer roller can be locked in position for parking.
- According to EN 1570 and machinery directive 2006/42/EG.



#### Scope of delivery

- Models with electric-hydraulic pump are supplied complete with battery and charger.

## Technical data model HF/DM

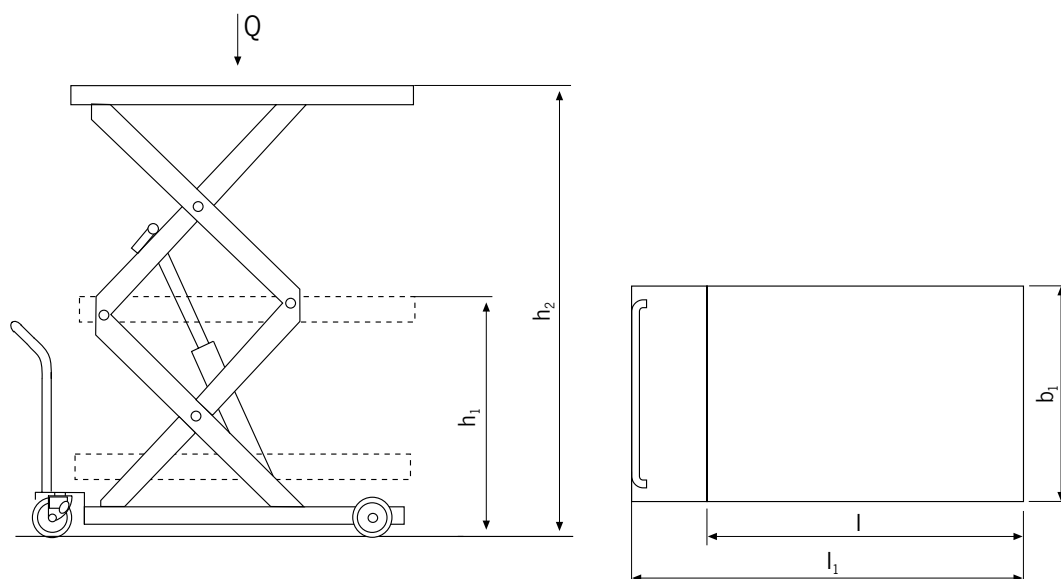
Model	HF 012-142 DM	HF 045-155 DM	HF 050-190 DM	HF 080-190 DM
Art.-No.	24701142	24704155	24705190	24708190
Capacity, kg	125	450	500	800
Platform height max. h <sub>2</sub> , mm	1420	1550	1900	1900
Platform height min. h <sub>1</sub> , mm	430	295	490	490
Stroke h <sub>3</sub> , mm	990	1255	1410	1410
Overall length l <sub>1</sub> , mm	1090	1350	1650	1650
Overall width b <sub>1</sub> , mm	500	665	860	860
Platform length l, mm	840	1030	1350	1350
Platform width b <sub>1</sub> , mm	500	610	840	840
Tyre type**	PUR	PUR	PA	PA
Service brake	manual	manual	manual	manual
Number of strokes for max. lift	19	71	80	160
Weight (with battery and battery charger), kg	100	143	306	315

\*\*PA... Polyamide, PUR... Polyurethane

## Technical data model HF/DE

Model	HF 012-142 DE	HF 045-155 DE	HF 050-190 DE	HF 080-190 DE
Art.-No.	24801142	24804155	24805190	24808190
Capacity, kg	125	450	500	800
Platform height max. h <sub>2</sub> , mm	1420	1550	1900	1900
Platform height min. h <sub>1</sub> , mm	430	295	490	490
Stroke h <sub>3</sub> , mm	990	1255	1410	1410
Overall length l <sub>1</sub> , mm	1090	1350	1650	1650
Overall width b <sub>1</sub> , mm	500	665	860	860
Platform length l, mm	840	1030	1350	1350
Platform width b <sub>1</sub> , mm	500	610	840	840
Tyre type**	PUR	PUR	PA	PA
Service brake	manual	manual	manual	manual
Number of strokes for max. lift	electric	electric	electric	electric
Weight (with battery and battery charger), kg	147	190	352	363

\*\*PA... Polyamide, PUR... Polyurethane







## Mobile elevating work bench model HW

Capacity 1000 kg,  
platform height max. 1320 mm

For lifting and transporting of heavy loads in manufacturing and assembly processes.

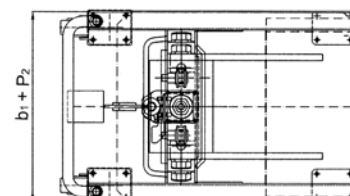
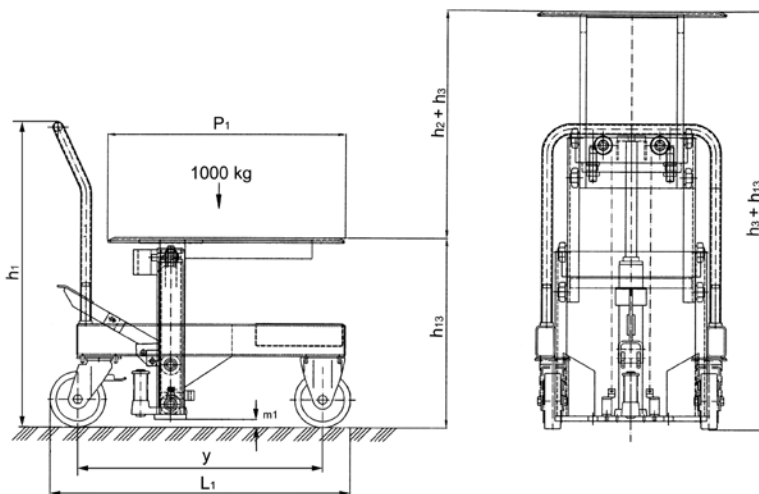
### Features

- Hydraulic lifting and lowering of the load with foot pedal.
- Lowering speed can be finely metered for sensitive lowering of the load.
- Ergonomic handlebar for easy operation.
- Steering roller with brake for safe parking of the hand stacker.
- Robust construction with hard chromium plated piston and pressure relief valve.

### Technical data model HW 10

Model	HW 10
Art.-No.	040007617
Capacity, kg	1000
Platform height max. $h_3 + h_{13}$ , mm	1270
Platform height min. $h_{13}$ , mm	600
Overall height $h_1$ , mm	950
Free lift $h_2$ , mm	720
Stroke $h_3$ , mm	720
Overall length $L_1$ , mm	947
Platform length $P_1$ , mm	750
Platform width $P_2$ , mm	600
Overall width $b_1$ , mm	600
Tyre type*	PA/PA
Steering rollers, mm	175 x 50
Load rollers, mm	175 x 50
Number of wheels/load rollers	2/2
Wheelbase $y$ , mm	772
Weight, kg	160
Ground clearance $m_1$ , mm	25
Lifting height per pump stroke, mm	9

\*PA... Polyamide





## Flat scissor lifting table model HTF-G SILVERLINE

Capacity 1000 kg

For the professional lifting and handling of loads within a warehouse environment.

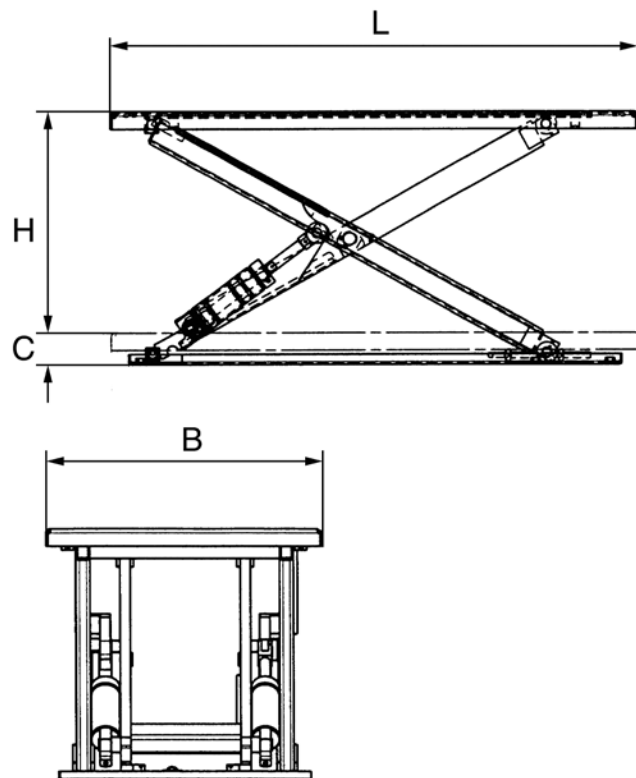
### Features

- Extremely low-profile design reducing cost and effort for a pit-installation
- The ramp allows loading the platform directly with a pallet truck or trolley
- Safe operation due to push-button for up/down in dead man's control, as well as emergency stop
- Overload protection by pressure control valve
- According to EN 1570-1 and all UVV safety regulations



### Technical data model HTF-G SILVERLINE

Model	HTF-G
Art.-No.	040047380
Lifting capacity, t	1.0
Platform length L, m	1.45
Platform width B, m	1.14
Overall height C, mm	82
Lift H, m	0.76
Lifting time, sec	18
Motor power, kW	0.75
Weight, kg	250



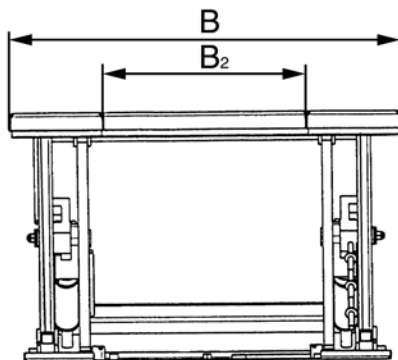
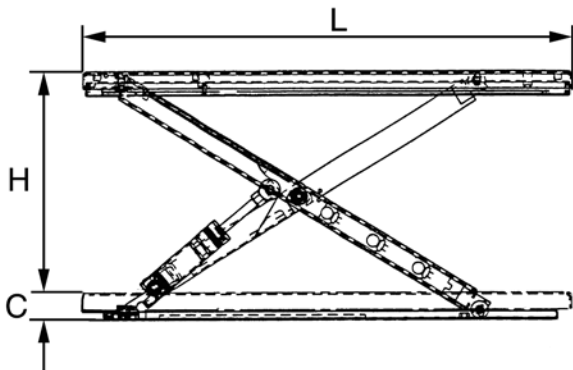
## Flat scissor lifting table model HTF-U SILVERLINE

Capacity 1000 kg

For the professional lifting and handling of loads within a warehouse environment.

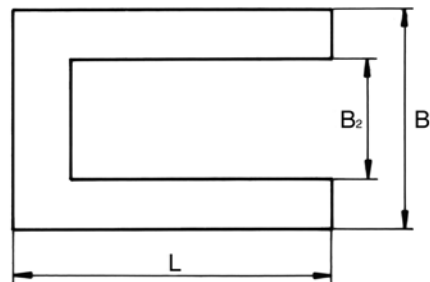
### Features

- Extremely low-profile design lowering the cost and effort for a pit installation
- U-design for direct access of industrial trucks
- Safe operation due to push-button for up/down in dead man's control, as well as emergency stop
- Overload protection by pressure control valve
- According to EN 1570-1 and all UVV safety regulations



### Technical data model HTF-U SILVERLINE

Model	HTF-U
Art.-No.	040047381
Lifting capacity, t	1.0
Platform B2, mm	585
Platform length L, m	1.45
Platform width B, m	1.14
Overall height C, mm	80
Lift H, m	0.76
Lifting time, sec	18
Motor, kW	0.75
Weight, kg	235



## Handling table model HTH-E SILVERLINE

Capacity 500 - 3.000 kg

For the professional lifting and handling of heavy loads and palletized goods at workplaces.

### Features

- Smooth hydraulic ram action of working height for ergonomic working conditions
- Safe operation due to push-button for up/down in dead man's control, as well as emergency stop
- Overload protection by pressure control valve
- According to EN 1570-1 and all UVV safety regulations



### Technical data model HTH-E SILVERLINE

Model	HTH-E	HTH-E	HTH-E	HTH-E
Art.-No.	040049470	040049471	040049472	040049473
Lifting capacity, t	0.5	1.0	2.0	3.0
Platform length L, m	1.30	1.30	1.30	1.30
Platform width B, m	0.8	0.8	0.8	0.8
Overall height C, mm	190	190	190	220
Lift H, m	0.82	0.82	0.82	0.80
Lifting time, sec	15	25	40	26
Motor, kW	0.75	0.75	0.75	1.50
Weight, kg	160	220	280	320

