


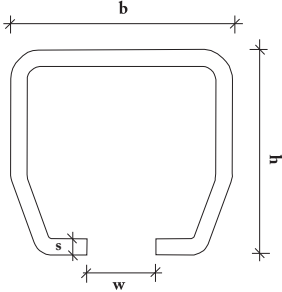
4. System Elements


4.1. Use of Components Track profiles and track bends

Material for accessories and components
Steel quality St37_2 according to DIN 17100
Ball bearing material AISI 1015, Surface hardness 58-62 HRC
Surface galvanised & yellow chromated.




Track "NIKO", standard 6000 mm lengths

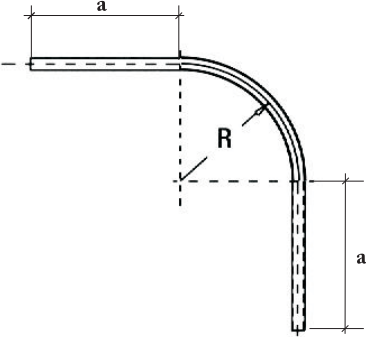





Track Art.Nr.	b	h	s	w
25.000 galv.	65	60	3,6	18
25.060 sendzimier galv.	65	60	3,6	18
26.000 galv	80	75	4,5	22
27.000 galv	110	90	6,5	25



Track bends






Standard bends Art. Nr.	R	+/-	a
25.C06 galv.	580	10	500
25.C06W sendzimier galv.	580	10	500
26.C08 galv.	770	20	500
27.C10 galv.	1035	20	500

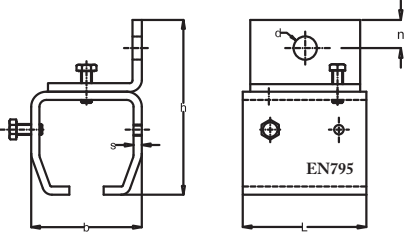
4. System Elements


4.2. Profile suspension Support brackets

! In the event of a fall, the support brackets and dowels should be examined!



Wall support bracket





Wall support bracket Art. Nr.	b	h	s	L	n	d
25.B01P	80	125	6	90	18	17
26.B01P	100	160	8	110	25	22
27.B01P	118	210	10	120	32	27

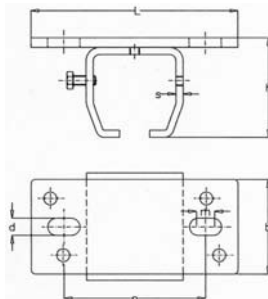
4. System Elements

4.2. Profile suspension

Support brackets



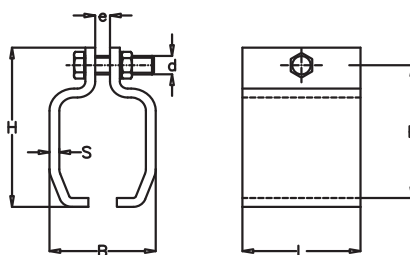
Ceiling support bracket



Ceiling support bracket Art. Nr.	b	h	s	L	m	d
25.B02P	80	83	6	170	10	17
26.B02P	100	103	8	210	12	22
27.B02P	118	146	10	260	23	22



Split support bracket for flat steel



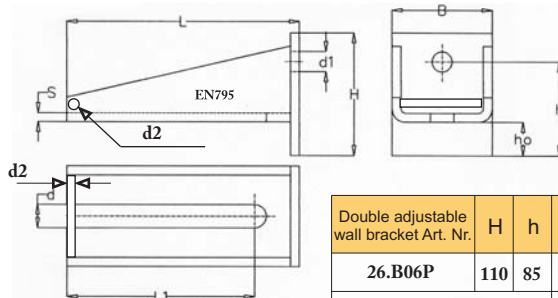
Split support bracket Art. Nr.	B	h	s	L	e	d
25.B03P	77	132	6	90	6	M16
26.B03P	96	150	8	110	8	M16
27.B03P	110	180	10	120	10	M16

Adjustable support brackets for height and lateral adjustment



Double adjustable wall bracket

! In the event of a fall, the double adjustable wall brackets and bolts must be examined and changed if necessary!




Double adjustable wall bracket Art. Nr.	H	h	s	B	ho	b	L	L1	d1	d2
26.B06P	110	85	8	90	31	21	208	168	18	8
Suitable for adjustable brackets				25.B04P	26.B04P					

4. System Elements

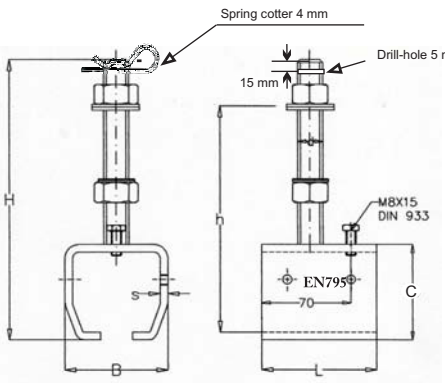
4.2. Profile suspension


Support brackets

Adjustable support brackets for height and lateral adjustment



Adjustable bracket






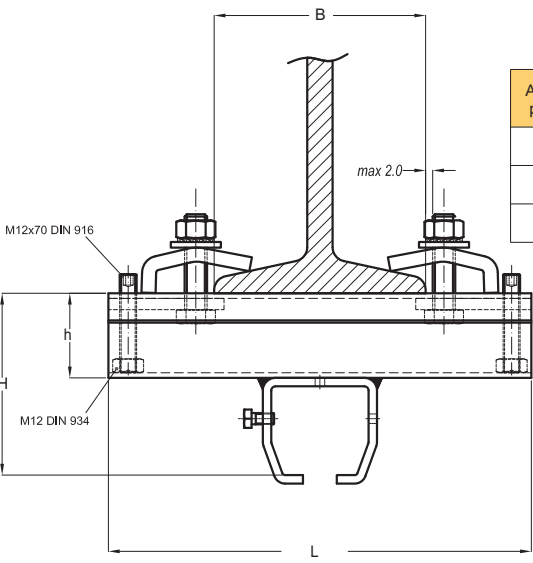
Adjustable bracket Art. Nr.	H	h	s	B	L	C
25.B04P	215	140	6	82	90	75
26.B04P	292	183	8	100	110	93


Suitable for adjustable wall bracket 26.B06P

Components for I-Beam mounting



Adjustable joint clamp, parallel

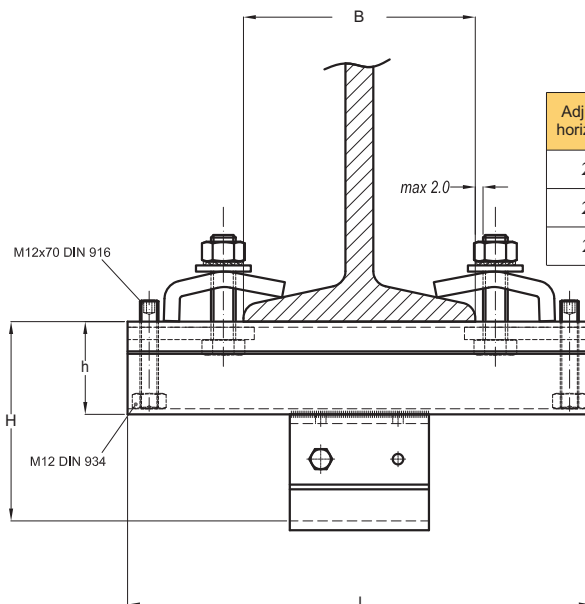




Adj. joint clamp, parallel Art. Nr.	L	B	H	h
25.B35P	300-400	160-220	129	60
26.B35P	300-400	160-220	146	60
27.B35P	300-500	160-320	214	110

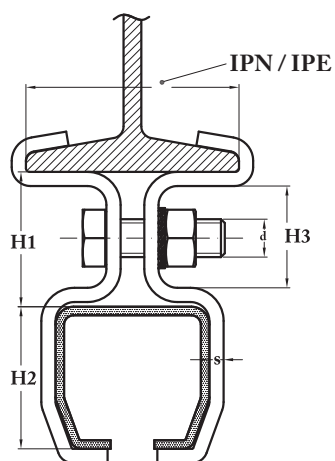
Components for I-Beam mounting

Adjustable joint clamp, horizontal



Adj. joint clamp, horizontal Art. Nr.	L	B	H	h
25.B36P	300-400	160-220	129	60
26.B36P	300-400	160-220	146	60
27.B36P	300-500	160-320	214	110

Split suspension bracket for I-beam



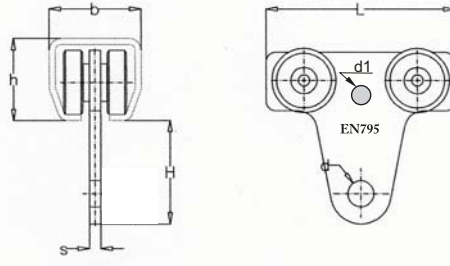
Split suspension bracket for track profile	H1	H2	H3	s	d
25.000	56	60	42	6	M16
26.000	63	75	44	8	M16
27.000	90	110	66	10	M16
For I-beam IPN / IPE	25.000	26.000	27.000		
100 (80)	25.B10P				
120 (100)	25.B12P				
140 (120)	25.B14P				
160 (140)	25.B16P	26.B16P			
180 (160)	25.B18P	26.B18P			
200 (180)	25.B20P	26.B20P	27.B20P		
220 (200)	25.B22P	26.B22P	27.B22P		
240 (220)	25.B24P	26.B24P	27.B24P		
260 (240)	25.B26P	26.B26P	27.B26P		

4.3. Trolleys



4-wheel Trolley

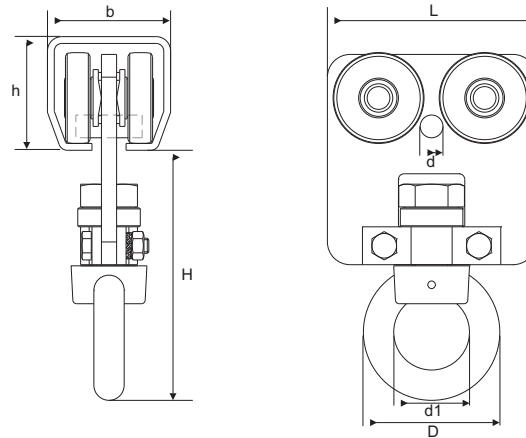
! Use of this trolley as a person carrier requires a PPE with a rotating swivel !



Trolley Art. Nr.	H	h	s	b	L	d	d ₁
25.T10P	62	60	10	65	120	18	12
26.T10P	70	75	12	80	145	22	12
27.T10P	108	110	15	90	210	26	12



4-wheel Trolley for persons with rotating eye nut, DIN 582.



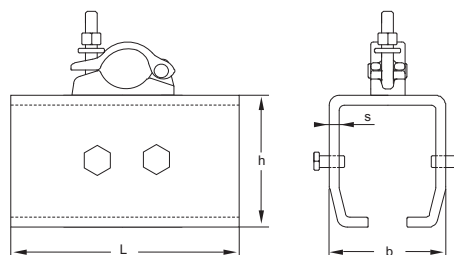
Trolley Art. Nr.	H	h	b	L	d	d ₁	D
25.T40P	122	60	65	110	12	12	72
26.T40P	145	75	80	150	12	12	90
27.T40P	163	110	90	200	12	12	108

4.4. Splice joints, brackets + track end stop

Splice joint for tracks



Scaffolding splice joint for mounting on scaffold tube 1½", 48,30 mm



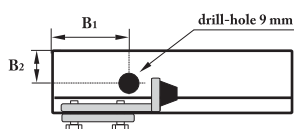
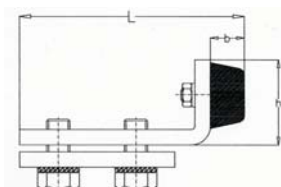
Scaffolding splice joint Art. Nr.	b	h	s	L
25.B80P	80	75	6	180
26.B80P	100	93	8	200
27.B80P	114	134	10	250

Track End Stops



Track end stop

In addition to the track end stop a safety screw is required (see sketch).




Positioning of safety screw M8x80

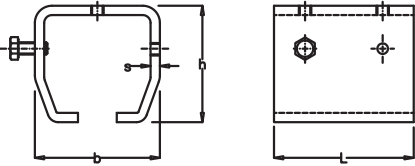
Track endstop Art. Nr.	L	b	h	B ₁	B ₂
25.X01P	80	75	6	110	30
26.X01P	100	93	8	135	30
27.X01P	114	134	10	135	50

4.4 Support brackets & stopper


Support bracket without mounting flange




Bracket for welding on existing building frame.

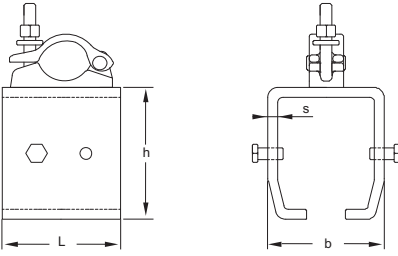


Support bracket Art. Nr.	b	h	s	L
25.B00P	80	75	6	90
26.B00P	100	93	8	110
27.B00P	114	134	10	120






Scaffolding support bracket for mounting of Scaffold tube 1½", 48,30 mm




Scaffolding support bracket Art. Nr.	b	h	s	L
25.B90P	80	75	6	90
26.B90P	100	93	8	110
27.B90P	114	134	10	120

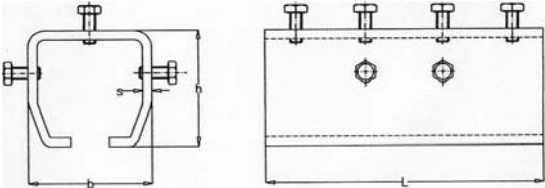


4.4 Support brackets & stopper


Splice joints for Track



Splice joint for tracks



Splice joint Art. Nr.	b	h	s	L
25.B49P	80	75	6	180
26.B49P	100	93	8	200
27.B49P	114	134	10	250



4.5. Switches



Tongue switches without bends

Manual operation
left or right running angle 30°



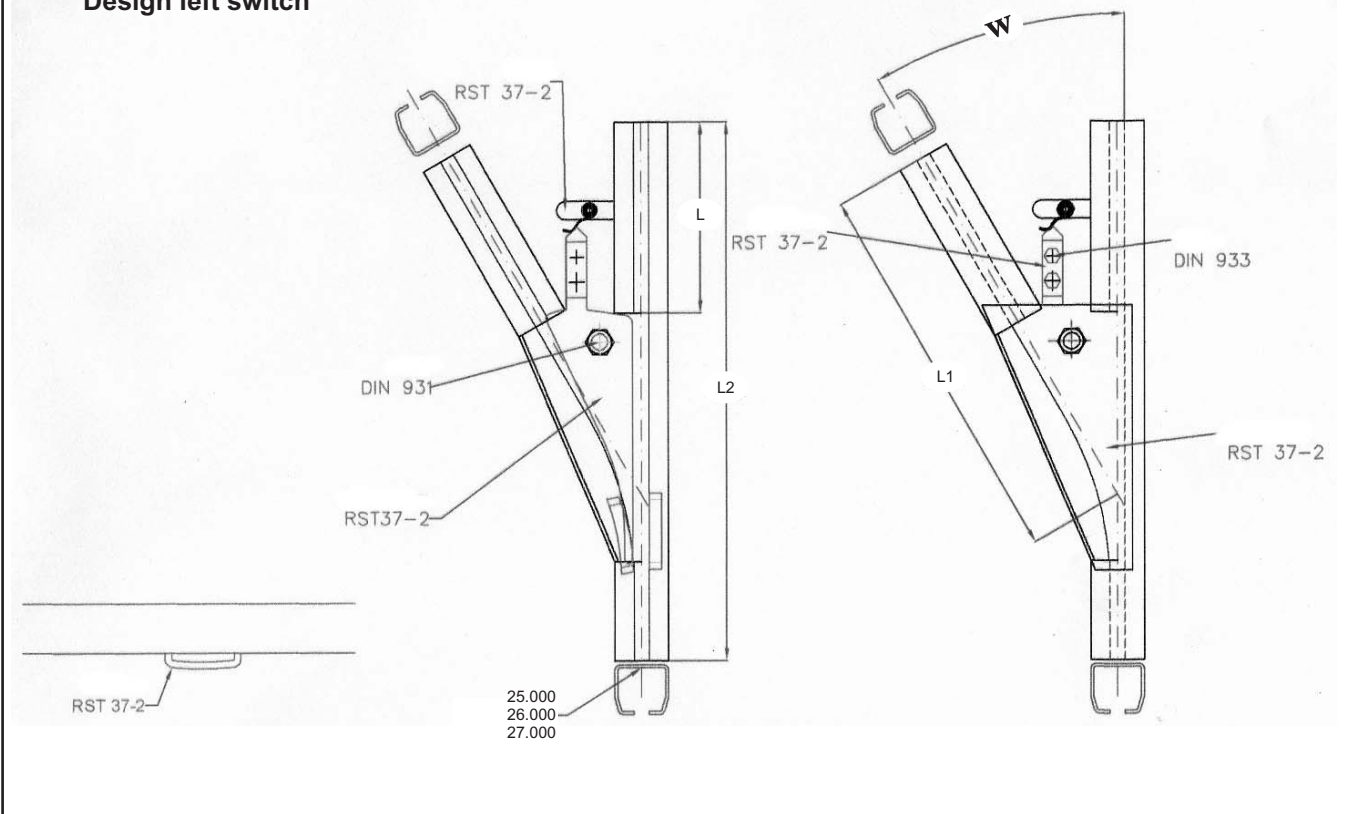
Switch left

Tongue switch w/o bend Art. Nr.	L	L ₁	L ₂	W
25.A05	220	500	650	30°
26.A05	280	550	750	30°

Switch right

Tongue switch w/o bend Art. Nr.	L	L ₁	L ₂	W
25.A04	220	500	650	30°
26.A04	280	550	750	30°

Design left switch



4.5. Switches

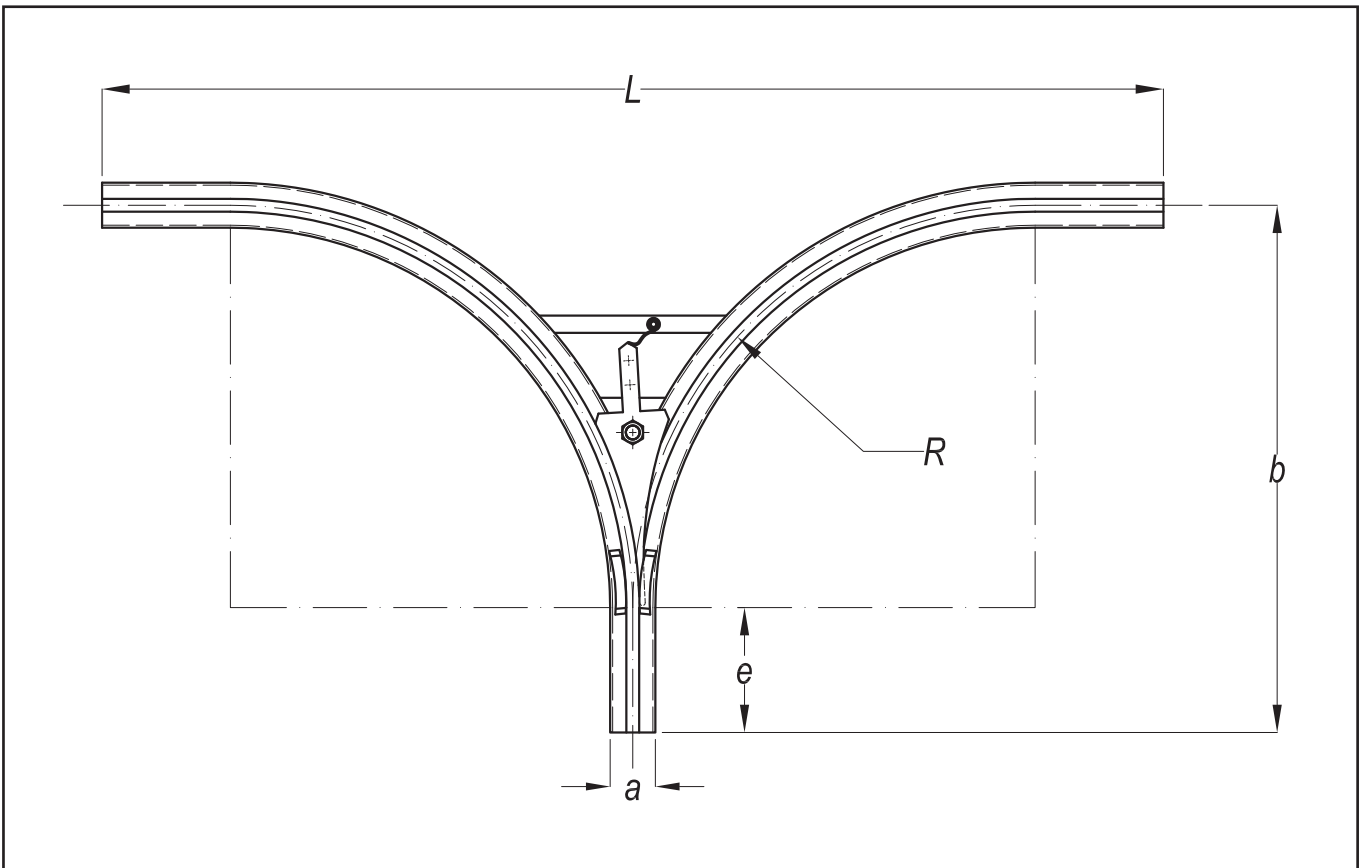


Tongue switch complete with Bends

Manual operation
left and right running in angle 90° bends
complete with two 90° bends



Tongue switch Art. Nr.	a	b	L	e	R
25.A47	65	760	1600	180	580
26.A47	80	980	2000	210	770
27.A47	90	1335	3000	300	1035

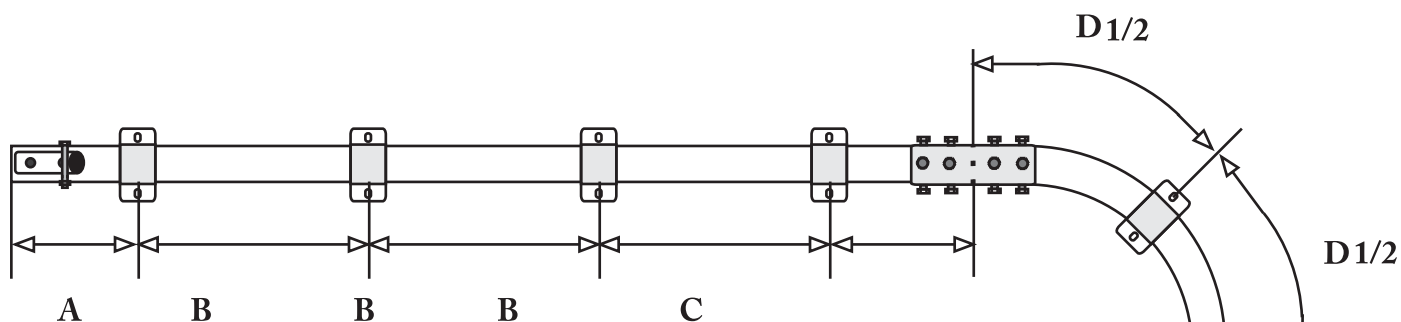


4.6. Example of line

The mounting points are shown in the diagram below.

Measurements given are maximum distances.

The example below is the top view of a system mounted with ceiling brackets.



A = max Cantilever end shown in chart

B = support centres in max mm

C = max distance between support & splice joint

D = Middle of bend max 1000 mm

E = Switch support points are positioned immediately after the splice joints

Mounting maximum distances	B	A	C
25.000	1100	300	500
26.000	1600	400	500
27.000	2800	500	500

