



Electric & pneumatic winches

Pfaff-silberblau and Yale winches are versatile tools made to lift, lower, pull or position loads.

All winches are characterized by high-quality components and drive motors, irrespective of the design as standard or customized version. All products are differentiated by long lifetimes and a reliable operational safety.

Pfaff-silberblau and Yale winches are available as electric or pneumatic winches.

Capacities between 250 kg up to 7500 kg make them a versatile tool for a great number of applications: general industry, aviation and maritime industries, construction, theatres and studios, distributors, retailing and trade, furniture and department stores as well as passenger elevation (YaleMtrac).

A modular system with multiple options ensures maximum flexibility in the application.

The electric winch model BETA PROLINE is available also for stages and studios, according to BGV C1.

Selected models can be provided in an explosion proof version.



All our winches are designed according to national and international standards.

Electric construction winch model EBW 200

Capacity 200 kg

For easy and quick lifting and lowering of loads on construction sites.

Features

- Extending slewing frame and clips for tube racks up to max. 45 mm, quickly ready for use.
- Operating cable (length: 1 m) and push-button pendant control with emergency stop.
- Standard operating voltage:
Euro-voltage 230V, 1-phase, 50 Hz



Technical data model EBW 200

Model	Art.-No.	Capacity kg	Lifting height m	Lifting speed m/min	Weight without rope kg
EBW 200	031100030	200	25	19.2	48.5

! Pfaff winches are not designed for passenger elevation applications and must not be used for this purpose.

Electric winch model RPE

Capacity 250 - 1000 kg

Winches series RPE and RPA are designed explicitly for performance, efficiency and safety and offer many advantages and options. RPE's and RPA's extremely compact, practical cube design and universal rope lead-offs allow individual applications in almost any position and make them powerful aids for lifting and pulling loads.

The winches are designed to DIN 15020, classification 1 Bm/M3, safety regulation BGV D8 (winch, lift and pull equipment) and, of course, the EC machinery directives.

Every winch is factory tested with overload.

The units are supplied with a test certificate showing the unit's serial-no. and an operating instructions manual which contains a manufacturer's declaration.

Features

- Compact dimensions due to internal brake motor.
- Voltage 400V/230V, 3-phase, 50 Hz, protected to IP 54, insulation class F.
- Adjustable slip clutch to protect the winch from overloading standard for model RPE 10-6.
- Spur gear transmission with helical first gear ensures smooth motion. Lubricated by grease and can, therefore, be used in any position.
- Spring pressure disc brake incorporated in the motor holds the load secure even in the event of a power failure.
- Plain rope drum standard.
- The rope is secured to the drum in a recess so that the rope can be wound onto the drum in several layers without damage.
- Direct control or 42V low voltage control (incl. push-button with emergency-stop and 2 m control cable).



Rope attachment



Spring pressure disc brake



Brake motor

When selecting the length of the rope please bear in mind that a minimum of 2.5 windings have to remain on the drum (approx. 1 m rope).

Options

- Different drum designs, e.g. extended to accommodate longer rope, machined grooves for exact reeling, with separation web and 2nd rope outlet for working with two ropes.
- Geared limit switches to limit rope motion in both directions (in combination with 42V low voltage control).
- Single-phase A.C. motor 230V, 50 Hz, 42V low voltage control.
- Slack rope switch to automatically stop the winch when rope tension eases e.g. when the load touches down (only in combination with low voltage control).
- Frequency converter for stepless speed control.
- Adjustable slip clutch to protect the winch from overloading for models RPE 2-13, RPE 5-6 and RPE 5-12.
- Special design according to BGV C1 for theater stage applications available.
- Radio remote control
- Other operating voltages
- Stainless brake



! Special design for wind energy as well as customised constructions on request.
● Also available as zinc-plated version on request.



Single-phase A.C. motor



Geared limit switches



Gearbox with slip clutch



Different drum designs

Technical data model RPE

Model	EAN-No. 4025092*	Capacity kg	Lifting speed 1 st layer m/min	Lifting speed top layer m/min	Rope diameter mm	Motor kW	ED %	Useable rope length 1 st layer m	Useable rope length top layer m	Weight without rope kg
RPE 2-13	*071796	250	10.2	13.2	4	0.55	40	11.2	54.5	31.8
RPE 5-6	*071857	500	4.6	6.6	6	0.55	40	7.0	38.8	32.8
RPE 5-12	*071918	500	8.7	12.6	6	1.1	40	11.0	55.4	41.0
RPE 9-6	*071956	990	5.1	6.5	8	1.1	40	10.2	37.4	76.0
RPE 10-6*	*072014	1000	5.1	6.5	8	1.1	40	10.2	37.4	76.9

*With slip clutch

Plain drum (longer useable rope length)

Model	Capacity top layer kg	Drum size	Useable rope length max. m
RPE 2-13 L	250	2	80
RPE 5-6 L	500	2	58
RPE 9-6/10-6 L	990/1000	2	56
RPE 2-13 XL	250	3	200
RPE 5-6 XL	500	3	140
RPE 5-12 XL	500	3	140
RPE 9-6/10-6 XL	990/1000	3	100

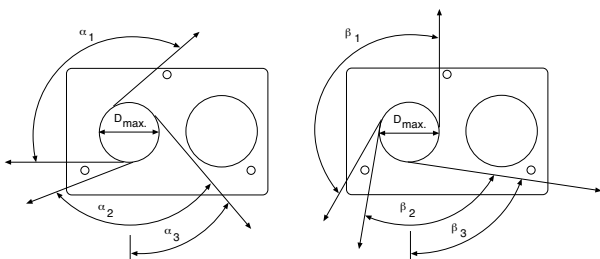
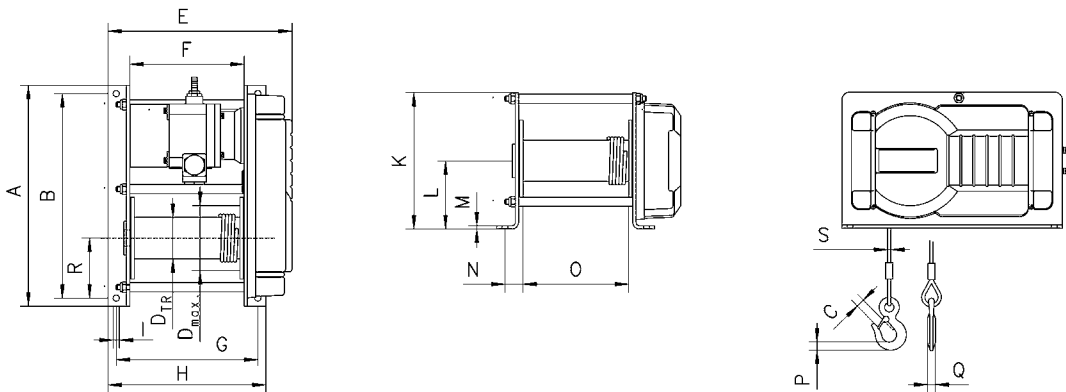
Grooved drum (recommended for single layer operation)

Model	Capacity top layer kg	Drum size	Useable rope length 1 st layer m	Useable rope length max. m
RPE 2-13 R	250	1	8.8	43
RPE 5-6 R	500	1	6.2	33
RPE 9-6/10-6 R	990/1000	1	8.2	30
RPE 2-13 LR	250	2	13.3	64
RPE 5-6 LR	500	2	9.5	49
RPE 5-12 LR	500	2	9.5	49
RPE 9-6/10-6 LR	990/1000	2	12.9	47
RPE 2-13 XLR	250	3	35.3	165
RPE 5-6 XLR	500	3	25.7	128
RPE 5-12 XLR	500	3	25.7	128
RPE 9-6/10-6 XLR	990/1000	3	25.2	89

Dimensions model RPE (400V direct control, standard drum)

Model	RPE 2-13	RPE 5-6	RPE 5-12	RPE 9-6	RPE 10-6
A, mm	405	405	405	525	525
B, mm	375	375	375	485	485
C, mm	18	18	18	25	25
DTR, mm	76	76	76	108	108
D max, mm	104	118	118	148	148
DA, mm	150	150	150	180	180
E, mm	338	338	428	450	450
F, mm	210	210	300	270	270
G, mm	260	260	350	345	345
H, mm	290	290	380	380	380
I, mm	11	11	11	13	13
K, mm	250	250	250	340	340
L, mm	125	125	125	170	170
M, mm	6	6	6	10	10
N, mm	33	33	33	47.5	47.5
O, mm	194	194	284	250	250
P, mm	19	19	19	24	24
Q, mm	13	13	13	19	19
R, mm	125	125	125	170	170
S, mm	4	6	6	8	8
$\alpha 1, ^\circ$	130	130	130	145	145
$\alpha 2, ^\circ$	110	110	110	125	125
$\alpha 3, ^\circ$	40	40	40	50	50
$\beta 1, ^\circ$	150	150	150	155	155
$\beta 2, ^\circ$	90	90	90	100	100
$\beta 3, ^\circ$	80	80	80	83	83

*Dimensions for s with optional features are available on request!



Rope lead-offs for electric winch RPE

! Yale winches are not designed for passenger elevation applications and must not be used for this purpose.



Pneumatic winch model RPA

Capacity 250 - 500 daN

The conception is in accordance with the design of the model RPE.

With 100% duty rating and an unlimited number of starts the model RPA is suitable for heavy duty applications. It is insusceptible to contamination, humidity and aggressive mediums from the outside.

Features

- Robust rotating piston motor with high starting torque, designed for operating pressures 4 to 6 bar.
- Spring pressure disc brake incorporated in the motor holds the load secure even in the event of an air failure.
- Sensitive control by means of direct acting valves in the control switch.

Options

- Different drum designs, e.g. extended to accommodate longer rope, machined grooves for exact reeling, with separation web and 2nd rope outlet for working with two ropes.
- Control including 2.5m hose and air coupler.
- Maintenance unit for main air supply pipe (pressure regulator, manometer, lubricator and support).

To ensure faultless operation the compressed air supply must be filtered and oiled.



Rope attachment



Different drum designs

Available in corrosion proof version on request!

Technical data model RPA

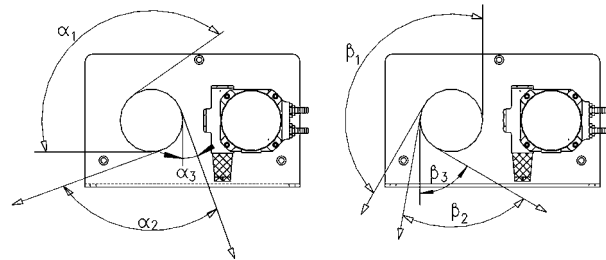
Model	EAN-No. 4025092*	Capacity kg	Lifting speed with rated load* m/min	Lifting speed without load* m/min	Lowering speed with rated load* m/min	Rope diameter mm	Motor kW	Useable rope length top layer m	Weight without rope kg
RPA 2-13	*072397	250	12.5	20	22	4	0.55	54.5	36.7
RPA 5-6	*072458	500	6.2	10	11	6	0.55	38.8	36.7

*Values in the top layer for 6 bar, air consumption 0.75 m³/min

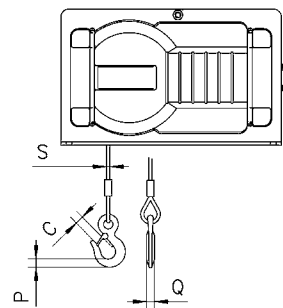
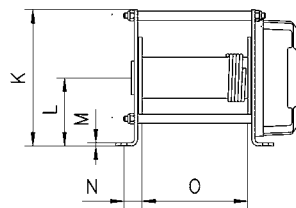
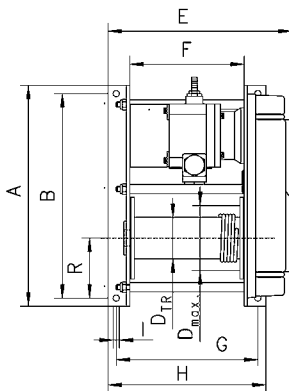
Dimensions model RPA

Model	RPA 2-13	RPA 5-6
A, mm	405	405
B, mm	375	375
C, mm	18	18
DTR, mm	76	76
D max, mm	104	118
DA, mm	150	150
E, mm	336	336
F, mm	210	210
G, mm	260	260
H, mm	290	290
I, mm	11	11
K, mm	250	250
L, mm	125	125
M, mm	6	6
N, mm	33	33
O, mm	194	194
P, mm	19	19
Q, mm	13	13
R, mm	125	125
S, mm	4	6
$\alpha 1, ^\circ$	130	130
$\alpha 2, ^\circ$	90	90
$\alpha 3, ^\circ$	20	20
$\beta 1, ^\circ$	150	150
$\beta 2, ^\circ$	70	70
$\beta 3, ^\circ$	60	60

When selecting the length of the rope please bear in mind that a minimum of 2.5 windings have to remain on the drum (approx. 1 m rope).



Rope lead-offs for pneumatic rope winch RPA





For determining the required rope length, please take into account that at least 2 to 3 windings must remain on the drum!

Electric winch model BETA SILVERLINE

Capacity 125 - 3200 kg

Electric winches of the BETA SILVERLINE range are used for lifting, towing and positioning of loads.

The proven technology and specified equipment features make the winch the ideal product for standard applications.

Features

- The electrically released spring pressure disc brake safely holds the load also in the event of a power failure.
- Powerful three-phase AC drives for multi-range voltage 380 - 420 V, 50 Hz or 440 - 460 V, 60 Hz. Motor type of enclosure IP 55, duty factor 40 % ED.
- Electronic overload protection from 1000 kg lifting load as standard.
- The maintenance-free, oil lubricated gearbox has quiet running characteristics due to milled and ground gears with helical teeth.
- All parts with high-quality two component paint (RAL 5015, coat thickness approx. 120 µm), rope drum zinc-plated in addition.
- Standard rope drum of grooved design, with large rope capacity.
- Variable rope lead-in due to two rope attachment points (left and right).
- Contactor control (incl. gear limit switch).
- Complies with accident prevention regulations BGV D8.

BETA SILVERLINE winches are only available with the specifications shown in this catalogue.

Additional options and an adaptation for special applications are offered exclusively for model BETA PROLINE (see page 106).

As PROLINE winches are always customized solutions they are only available on request.

Technical data model BETA SILVERLINE

Art.-No. Contactor control	Size	Capacity	Capacity	Lifting	Lifting	Rope diameter*	Motor	Classification	Useable	Useable	Weight without rope kg
		1 st layer kg	top layer kg	speed 1 st layer m/min	speed top layer m/min				rope length 1 st layer m	rope length top layer m	
031140006	Mini	250	170	4.7	7.3	4	0.37	1Bm/M3	7	46.7	25
031140015**	Mini	250	170	3.7	5.7	4	0.55	1Bm/M3	7	46.7	25
031149065	BG 1	500	348	3.5	5.5	6	0.37	1Am/M4	8.4	58.5	65
031149077	BG 1	500	348	8.5	12.6	6	0.75	1Am/M4	8.4	58.5	65
031149254	BG 2	980	697	3.4	4.9	9	0.75	1Am/M4	11	77.5	114
031149259	BG 2	980	697	7.5	10.8	9	1.1	1Am/M4	11	77.5	120
031149302	BG 2	1250	814	5.9	9.2	9	1.1	1Bm/M3	8.7	64.1	125
031149438	BG 3	1600	1115	3.9	5.7	12	1.1	1Am/M4	12.1	87.8	204
031149441	BG 3	1600	1115	8.5	12.5	12	2.2	1Am/M4	12.1	87.8	210
031149533	BG 3.5	3200	2354	6.0	8.3	14	3	1Am/M4	11.4	64.5	224

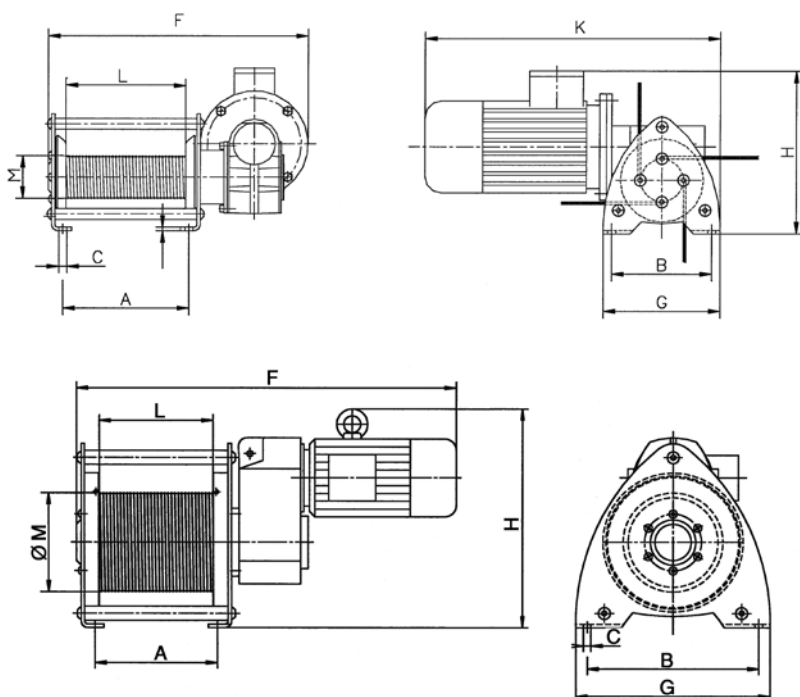
*recommended rope: DIN 3069 FE-znk 1960 sZ-spa

**A.C. motor drive 230V

Dimensions model BETA SILVERLINE

Art.-No. Contactor	031140006	031140015*	031149065	031149077	031149254	031149259	031149302	031149438	031149441	031149533
A, mm	185	185	215	215	270	270	270	320	320	320
B, mm	170	170	300	300	400	400	400	510	510	510
Ø C, mm	12	12	13.5	13.5	18	18	18	22	22	22
F, mm	389	389	710	746	852	912	907	1014	1073	1101
G, mm	200	200	340	340	465	465	465	570	570	570
H, mm	241	241	333	319	490	487	490	614	599	684
K, mm	432	-	-	-	-	-	-	-	-	-
L, mm	180	180	200	200	250	250	250	300	300	300
Ø M, mm	64	64	108	108	175	175	138	218	218	242

*A.C. motor drive 230V



Pfaff winches are not designed for passenger elevation applications and must not be used for this purpose.



Available in explosion proof version.



Application oriented winch solutions

! In compliance with accident prevention regulations BGV C1, also available for application on stages and in studios.

Options

- Various drum designs e.g. extended for a larger rope capacity, special rope drums for operation with several ropes.
- Rope pressure rollers to prevent the unloaded rope from jumping off the drum.
- Adjustable gear limit switch for limiting the rope path in both directions.
- Slack rope switch for automatically stopping the winch when the rope tension eases or when the load is set down.
- Frequency inverter for infinitely variable speed control.
- External operation via cable/radio
- Other operating voltages
- Other motor protection
- Absolute or incremental encoder
- Pole-changing motors
- Special preservation

Electric winch model SW-E BETA PROLINE

Capacity 250 - 7500 kg

When it comes to individual solutions or highly specialized applications we recommend our winch model BETA PROLINE. Major fields of application are entertainment, explosion protected environments and everywhere where our standard winch models RPE and BETA SILVERLINE do not meet the demanding requirements.

Electric winches of the BETA PROLINE range are used for lifting, towing and positioning of loads under demanding conditions. All models are based on a modular system; a high degree of flexibility ensures tailor-made solutions owing to a large number of options.

The application of high-quality components and gear motors ensure safety and a long service life.

Features

- The electrically released spring pressure disc brake safely holds the load also in the event of a power failure.
- Powerful three-phase AC drives for multi-range voltage 380 - 420V, 50 Hz or 440 - 460V, 60 Hz. Motor type of enclosure IP 55, duty factor 40% ED.
- Electronic overload protection from 1000 kg lifting load as standard.
- The maintenance-free, oil lubricated gearbox has quiet running characteristics due to milled and ground gears with helical teeth.
- All parts with high-quality two component paint (RAL 5015, coat thickness approx. 120 µm), rope drum zinc-plated in addition.
- Standard rope drum of grooved design, with large rope capacity.
- Variable rope lead-in due to two rope attachment points (left and right).
- Increased operating safety due to 42V contactor control.
- Complies with accident prevention regulations BGV D8.

! BETA PROLINE winches are customized and made to order products that are only available on request.

! For determining the required rope length, please take into account that at least 2 to 3 windings must remain on the drum!

Sheave block
for rope guidance,
equipped with ball bearings
model DSRB S

Technical data model DSRB S

Model	Art.-No.	Classification	Pulling force in kg at deflection 90°	Pulling force in kg at deflection 180°	Rope diameter mm
		FEM/ISO			
DSRB S 90/4	033447103	2m/M5	700	500	4
DSRB S 145/5	033447104	4m/M6	1100	800	5
DSRB S 145/6	033447105	2m/M5	1100	800	6
DSRB S 185/8	033447107	2m/M5	2300	1630	8
DSRB S 185/9	033447108	1Am/M4	2300	1630	9
DSRB S 270/12	033447111	2m/M5	2500	1800	12
DSRB S 325/14	033447117	2m/M5	4500	3200	14
DSRB S 400/16	033447113	3m/M6	5000	3800	16
DSRB S 400/18	033447114	2m/M5	5000	3800	18
DSRB S 490/20	033447115	3m/M6	8000	6000	20



Dimensions model DSRB S

Model	DSRB S 90/4	DSRB S 145/5	DSRB S 145/6	DSRB S 185/8	DSRB S 185/9	DSRB S 270/12	DSRB S 325/14	DSRB S 400/16	DSRB S 400/18	DSRB S 490/20
Art.-No.	033447103	033447104	033447105	033447107	033447108	033447111	033447117	033447113	033447114	033447115
B, mm	85	125	125	138	138	191	260	302	302	313
C, mm	90	160	160	195	195	290	350	430	430	580
Ø D, mm	90	145	145	185	185	270	325	400	400	490
Ø D1, mm	20	25	25	30	30	40	50	50	50	65
Ø Dm, mm	80	125	125	160	162	246	297	368	364	450
E, mm	62	88	88	106	106	138	180	212	212	220
H, mm	134	224	224	273	273	407	490	612	612	694
K, mm	65	110	110	135	135	202	242	310	310	340
L, mm	120	200	200	245	245	360	440	530	530	650
Ø M/M1, mm	9/9	11.5/13	11.5/13	13.5/15	13.5/15	18/20	22/25	26/30	26/30	34/40
S, mm	4	6	6	8	8	10	12	15	15	16

